

## Double Tube Linear Actuators

with Right or Left Hand Thread, Double Slider

### SPECIFICATION

#### Types

- Type **R1**: Right hand thread, shaft journal at one end
- Type **R2\***: Right hand thread, shaft journal at both ends
- Type **L1\***: Left hand thread, shaft journal at one end
- Type **L2\***: Left hand thread, shaft journal at both ends

\* usually not available from stock

Guide tubes DIN 2391

Steel, chrome-plated **SCR**

End pieces / Slider / Adapter plate

Aluminum

- Powder coated  
Black, RAL 9005, textured finish
- Fixing surface / mounting surface  
Machined, plain finish

Spindle with trapezoidal thread

- Steel, plain finish
- With ball-bearing
- Positioning accuracy  $\pm 0.2$  mm/300 mm travel

Follower nut

Gun metal

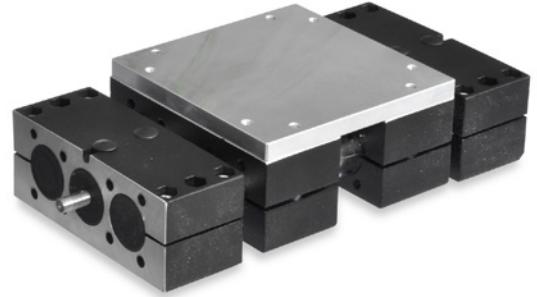
Socket cap screws DIN 912

Steel, zinc plated

Hex nuts DIN 985

Steel, zinc plated

Self-locking with polyamide ring



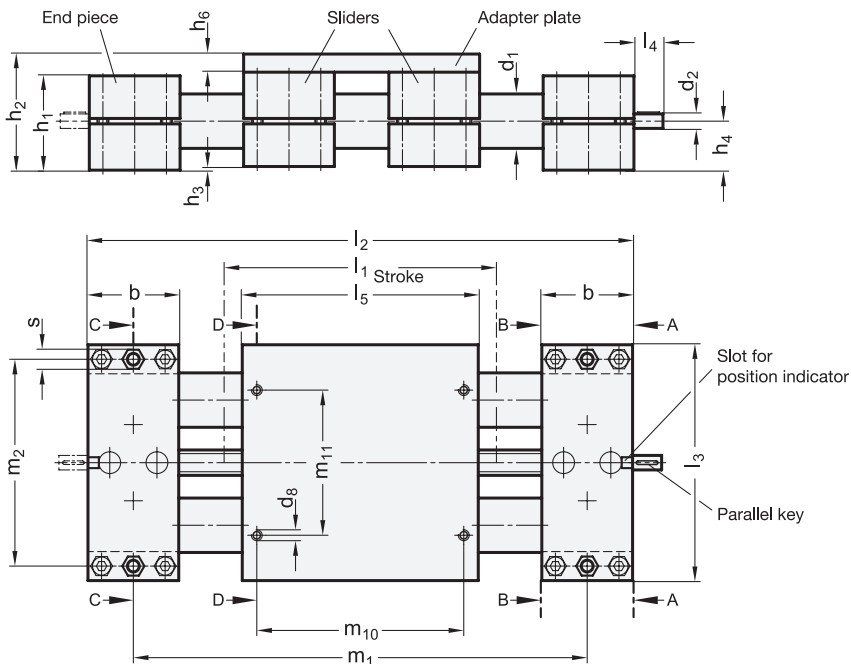
### INFORMATION

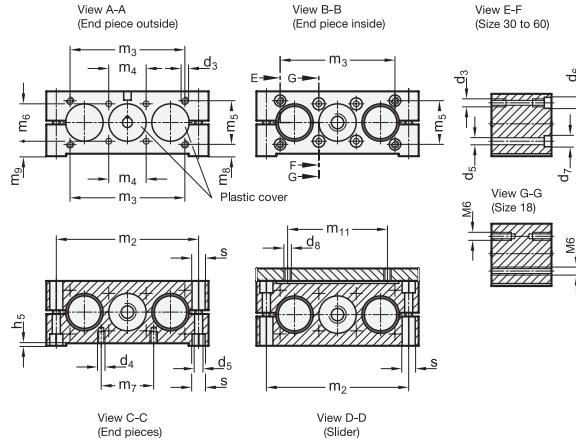
In addition to the standard travel lengths specified in the above table for the double tube linear actuator GN 492 any length inside the maximum travel length is available.

In order to measure the movement and positioning of the double sliders, digital position indicators can be added.

### ACCESSORY

- Installation Kits GN 491.1 (for Position Indicators) (see page 1955)





- \* Complete with
- R1** Right hand thread, shaft journal at one end
- R2\*** Right hand thread, shaft journal at both ends
- L1\*** Left hand thread, shaft journal at one end
- L2\*** Left hand thread, shaft journal at both ends

GN 492

Description	d1	l1	h1 Max. stroke	Shaft thread	b	d2	d3**	d4***	d5	d6	d6 For screw DIN 912	d7	d7 For screw DIN 912	d8	h1	h2	h3	h4	h5	h6
GN 492-18-100-*SCR	18	100	400	TR10x3	28	6	-	M 5	5.3	-	-	-	-	M 5	28	37	1	14.5	0.75	8
GN 492-18-150-*SCR	18	150	400	TR10x3	28	6	-	M 5	5.3	-	-	-	-	M 5	28	37	1	14.5	0.75	8
GN 492-18-200-*SCR	18	200	400	TR10x3	28	6	-	M 5	5.3	-	-	-	-	M 5	28	37	1	14.5	0.75	8
GN 492-18-300-*SCR	18	300	400	TR10x3	28	6	-	M 5	5.3	-	-	-	-	M 5	28	37	1	14.5	0.75	8
GN 492-30-100-*SCR	30	100	1500	TR14x4	50	8	M 6	M 6	6.5	10	M 5	11	M 6	M 6	52	64	2	27	0.85	10
GN 492-30-150-*SCR	30	150	1500	TR14x4	50	8	M 6	M 6	6.5	10	M 5	11	M 6	M 6	52	64	2	27	0.85	10
GN 492-30-200-*SCR	30	200	1500	TR14x4	50	8	M 6	M 6	6.5	10	M 5	11	M 6	M 6	52	64	2	27	0.85	10
GN 492-30-300-*SCR	30	300	1500	TR14x4	50	8	M 6	M 6	6.5	10	M 5	11	M 6	M 6	52	64	2	27	0.85	10
GN 492-40-100-*SCR	40	100	2500	TR20x4	60	12	M 8	M 8	8.5	13.5	M 6	13.5	M 8	M 8	60	76	3	31.5	1.05	13
GN 492-40-150-*SCR	40	150	2500	TR20x4	60	12	M 8	M 8	8.5	13.5	M 6	13.5	M 8	M 8	60	76	3	31.5	1.05	13
GN 492-40-200-*SCR	40	200	2500	TR20x4	60	12	M 8	M 8	8.5	13.5	M 6	13.5	M 8	M 8	60	76	3	31.5	1.05	13
GN 492-40-300-*SCR	40	300	2500	TR20x4	60	12	M 8	M 8	8.5	13.5	M 6	13.5	M 8	M 8	60	76	3	31.5	1.05	13
GN 492-50-100-*SCR	50	100	2630	TR20x4	72	12	M 10	M 8	8.5	15	M 8	15	M 8	M 8	72	92	4	38	1.2	16
GN 492-50-150-*SCR	50	150	2630	TR20x4	72	12	M 10	M 8	8.5	15	M 8	15	M 8	M 8	72	92	4	38	1.2	16
GN 492-50-200-*SCR	50	200	2630	TR20x4	72	12	M 10	M 8	8.5	15	M 8	15	M 8	M 8	72	92	4	38	1.2	16
GN 492-50-300-*SCR	50	300	2630	TR20x4	72	12	M 10	M 8	8.5	15	M 8	15	M 8	M 8	72	92	4	38	1.2	16
GN 492-60-400-*SCR	60	400	2580	TR25x5	80	14	M 10	M 10	10.5	13.5	M 8	16.5	M 10	M 10	86	106	4	45	1.35	16
GN 492-60-500-*SCR	60	500	2580	TR25x5	80	14	M 10	M 10	10.5	13.5	M 8	16.5	M 10	M 10	86	106	4	45	1.35	16
GN 492-60-600-*SCR	60	600	2580	TR25x5	80	14	M 10	M 10	10.5	13.5	M 8	16.5	M 10	M 10	86	106	4	45	1.35	16

GN 492

Description	l2	l3	l4	l5	m1	m2	m3	m4	m5	m6	m7	m8	m9	m10	m11	s	Parallel key DIN 6885	Installation kit	Position indicator	Handwheel	⚖
GN 492-18-100-*SCR	2xb+5+h1	81	16	81	b+5+h1	68	-	20	-	20	18	-	4.5	68	52	8	A2x2x12	GN 491.1	DD50	GN 9234	1020
GN 492-18-150-*SCR	2xb+5+h1	81	16	81	b+5+h1	68	-	20	-	20	18	-	4.5	68	52	8	A2x2x12	GN 491.1	DD50	GN 9234	1120
GN 492-18-200-*SCR	2xb+5+h1	81	16	81	b+5+h1	68	-	20	-	20	18	-	4.5	68	52	8	A2x2x12	GN 491.1	DD50	GN 9234	1360
GN 492-18-300-*SCR	2xb+5+h1	81	16	81	b+5+h1	68	-	20	-	20	18	-	4.5	68	52	8	A2x2x12	GN 491.1	DD50	GN 9234	4000
GN 492-30-100-*SCR	2xb+5+h1	130	16	130	b+5+h1	114	92	30	35	30	42	9.5	12	114	80	10	A2x2x12	GN 491.1	DD51   DD51-E	GN 9234	4340
GN 492-30-150-*SCR	2xb+5+h1	130	16	130	b+5+h1	114	92	30	35	30	42	9.5	12	114	80	10	A2x2x12	GN 491.1	DD51   DD51-E	GN 9234	4500
GN 492-30-200-*SCR	2xb+5+h1	130	16	130	b+5+h1	114	92	30	35	30	42	9.5	12	114	80	10	A2x2x12	GN 491.1	DD51   DD51-E	GN 9234	4900
GN 492-30-300-*SCR	2xb+5+h1	130	16	130	b+5+h1	114	92	30	35	30	42	9.5	12	114	80	10	A2x2x12	GN 491.1	DD51   DD51-E	GN 9234	8650
GN 492-40-100-*SCR	2xb+5+h1	180	17	180	b+5+h1	160	132	39	38	39	62	12.5	12	160	120	13	A4x4x12	GN 491.1	DD52R   DD52R-E	GN 9234	9000
GN 492-40-150-*SCR	2xb+5+h1	180	17	180	b+5+h1	160	132	39	38	39	62	12.5	12	160	120	13	A4x4x12	GN 491.1	DD52R   DD52R-E	GN 9234	9665
GN 492-40-200-*SCR	2xb+5+h1	180	17	180	b+5+h1	160	132	39	38	39	62	12.5	12	160	120	13	A4x4x12	GN 491.1	DD52R   DD52R-E	GN 9234	10150
GN 492-40-300-*SCR	2xb+5+h1	180	17	180	b+5+h1	160	132	39	38	39	62	12.5	12	160	120	13	A4x4x12	GN 491.1	DD52R   DD52R-E	GN 9234	14000
GN 492-50-100-*SCR	2xb+5+h1	206	18	206	b+5+h1	184	150	46	50	46	62	13	15	184	134	13	A4x4x12	GN 491.1	DD52R   DD52R-E	GN 9234	14440
GN 492-50-150-*SCR	2xb+5+h1	206	18	206	b+5+h1	184	150	46	50	46	62	13	15	184	134	13	A4x4x12	GN 491.1	DD52R   DD52R-E	GN 9234	14860
GN 492-50-200-*SCR	2xb+5+h1	206	18	206	b+5+h1	184	150	46	50	46	62	13	15	184	134	13	A4x4x12	GN 491.1	DD52R   DD52R-E	GN 9234	16020
GN 492-50-300-*SCR	2xb+5+h1	206	18	206	b+5+h1	184	150	46	50	46	62	13	15	184	134	13	A4x4x12	GN 491.1	DD52R   DD52R-E	GN 9234	26900
GN 492-60-400-*SCR	2xb+5+h1	240	19	240	b+5+h1	216	185	55	60	55	74	14	16.5	216	160	17	A5x5x16	GN 491.1	DD52R   DD52R-E	GN 9234	28550
GN 492-60-500-*SCR	2xb+5+h1	240	19	240	b+5+h1	216	185	55	60	55	74	14	16.5	216	160	17	A5x5x16	GN 491.1	DD52R   DD52R-E	GN 9234	30000
GN 492-60-600-*SCR	2xb+5+h1	240	19	240	b+5+h1	216	185	55	60	55	74	14	16.5	216	160	17	A5x5x16	GN 491.1	DD52R   DD52R-E	GN 9234	30200

\*\* usable depth of thread from both sides min. 2 x d3

\*\*\* usable depth of thread min. 1.5 x d4

Weight type R1

